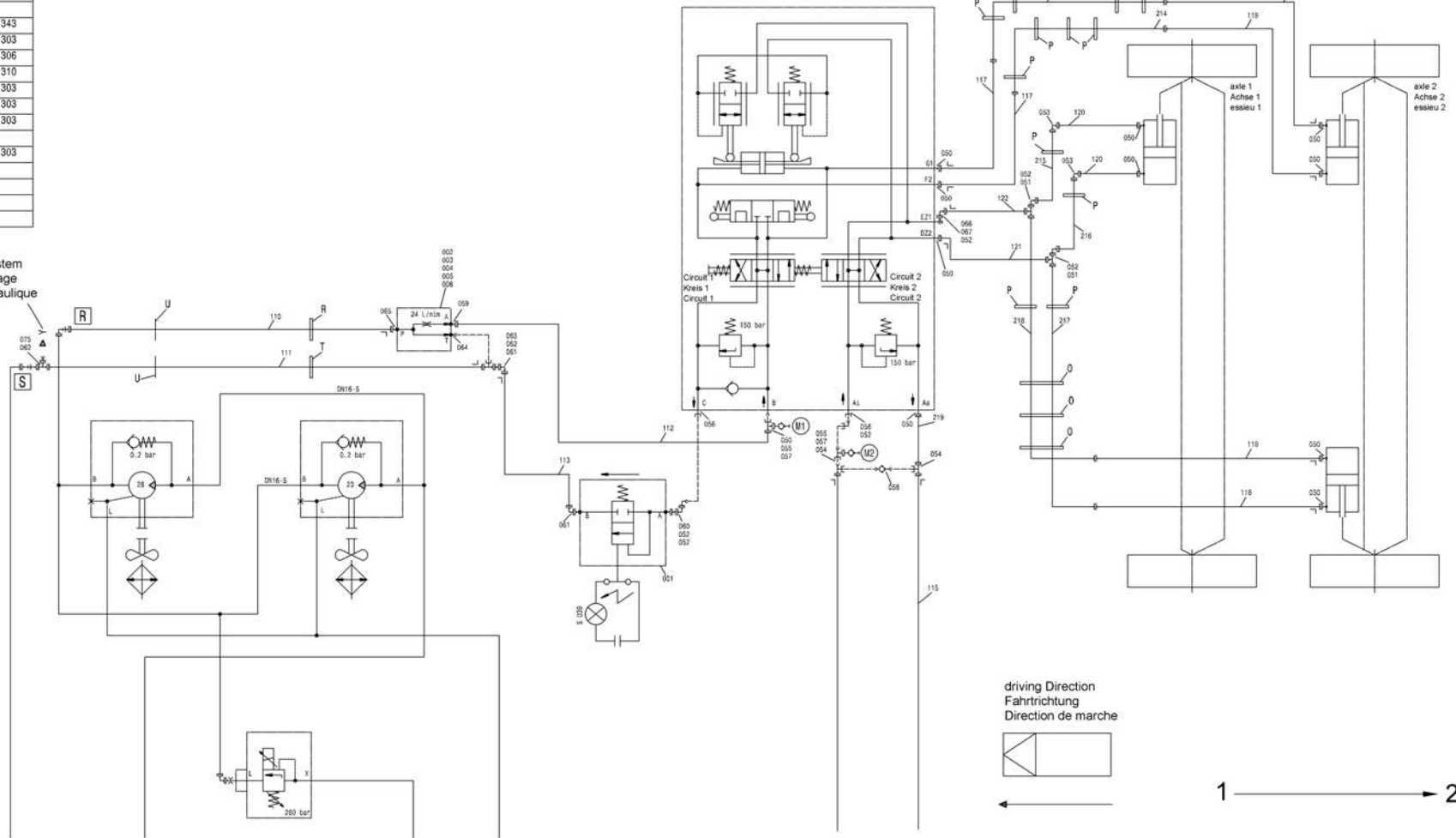


L1	340, 341, 301, 302
L2	342, 317, 302, 303
L3	345 2x, 347, 348
L4	346, 349
L5	340, 341, 315, 343
M	300, 301, 302, 303
N	304, 305, 301, 306
O	307, 308, 309, 310
P	304, 311, 302, 303
Q	312, 313, 302, 303
R	314, 315, 302, 303
T	318, 315, 302, 303
U	330, 331
V	332, 331
W	333, 331
X	333, 334, 335

Y Hydraulic system
 Hydraulikanlage
 System hydraulique

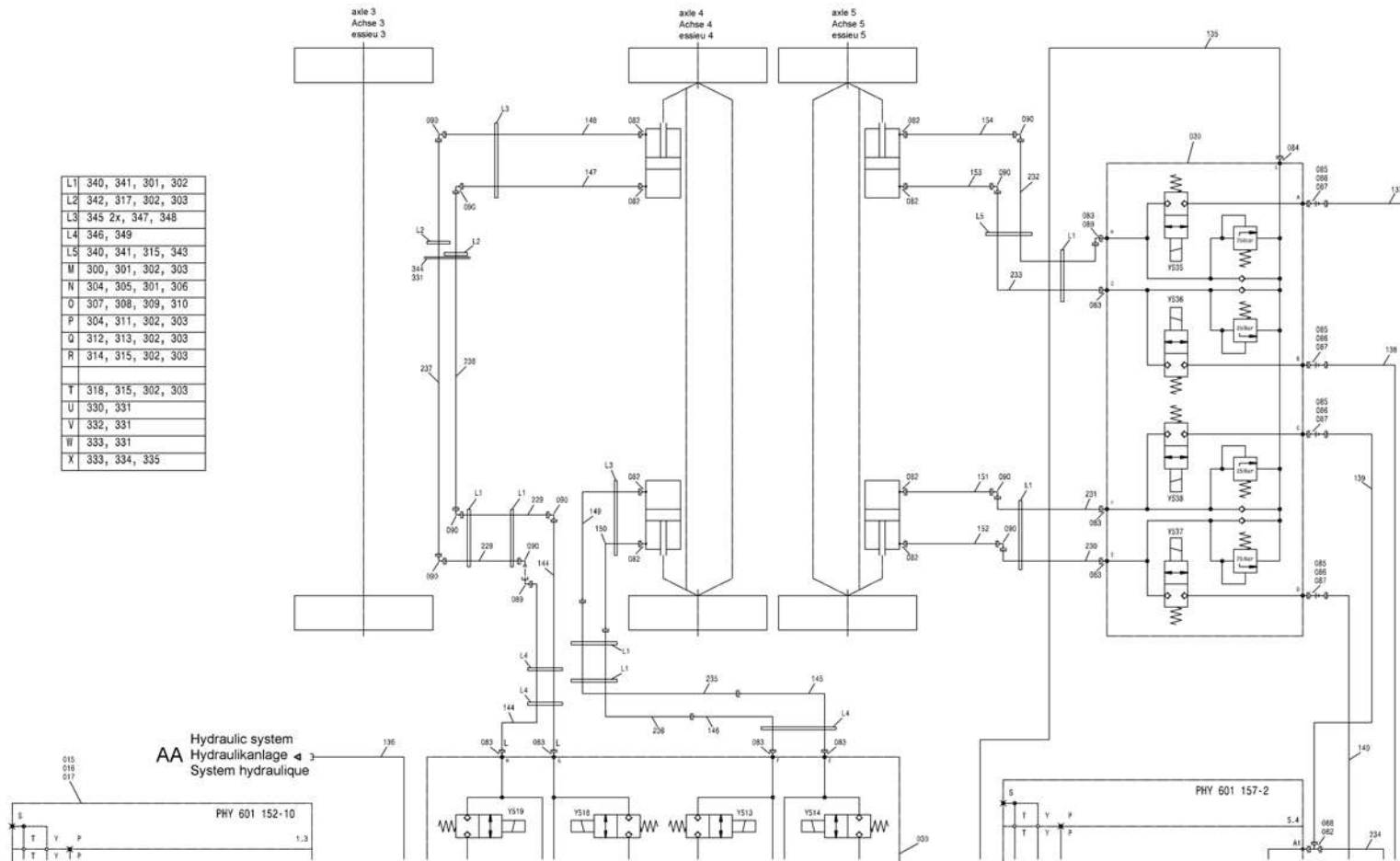
1
 ↓
 3



driving Direction
 Fahrtrichtung
 Direction de marche

← 1 → 2

1 ← ————— 2



2
 ↓
 4

HYDRAULIC PLAN steering
 HYDRAULIKPLAN Lenkung
 PLAN HYDRAULIQUE direction

from No / up to No
 WFN5#####2036222

Figure
 Bild 99707793789
 Figure

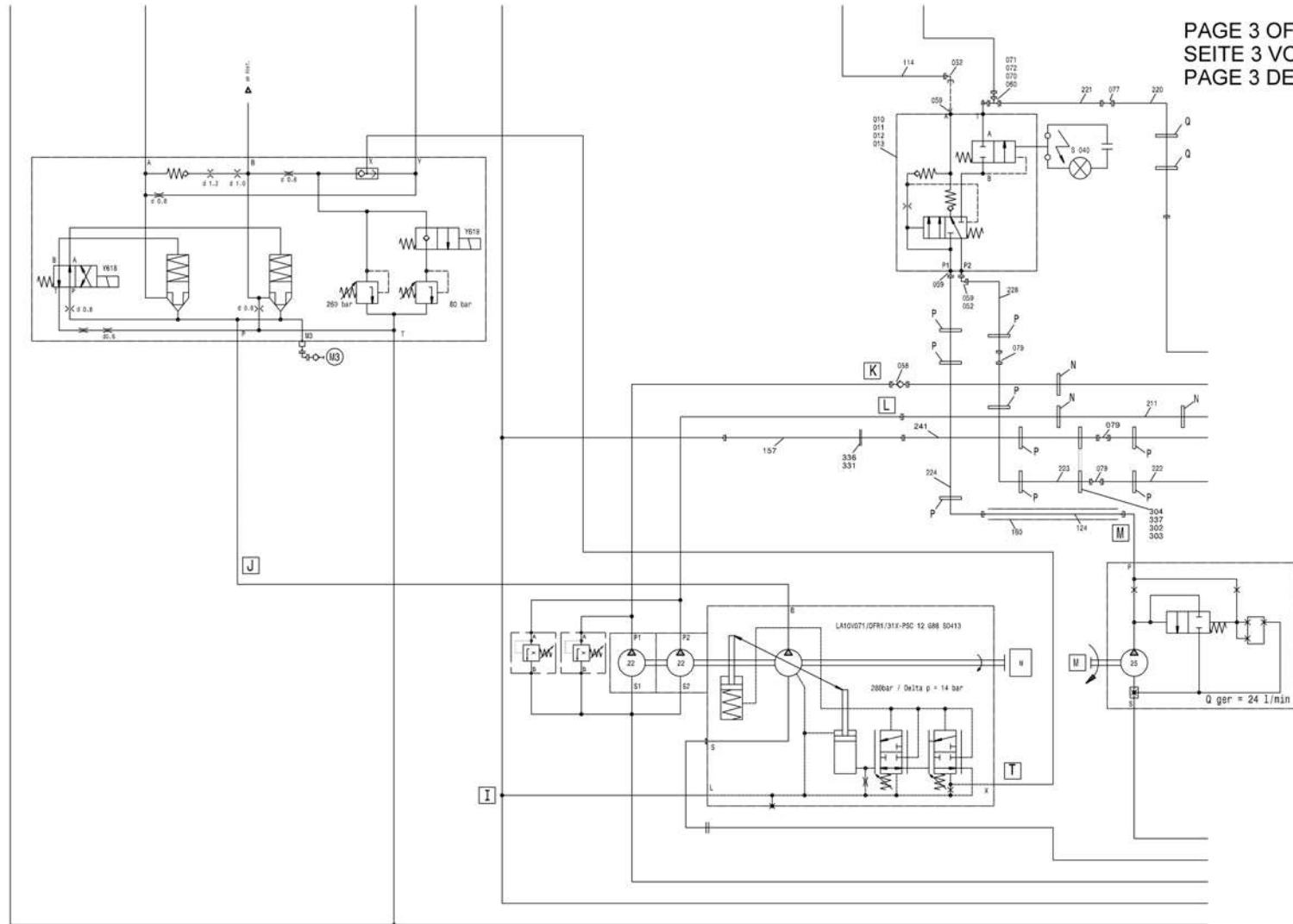
TADANO
 1102-02

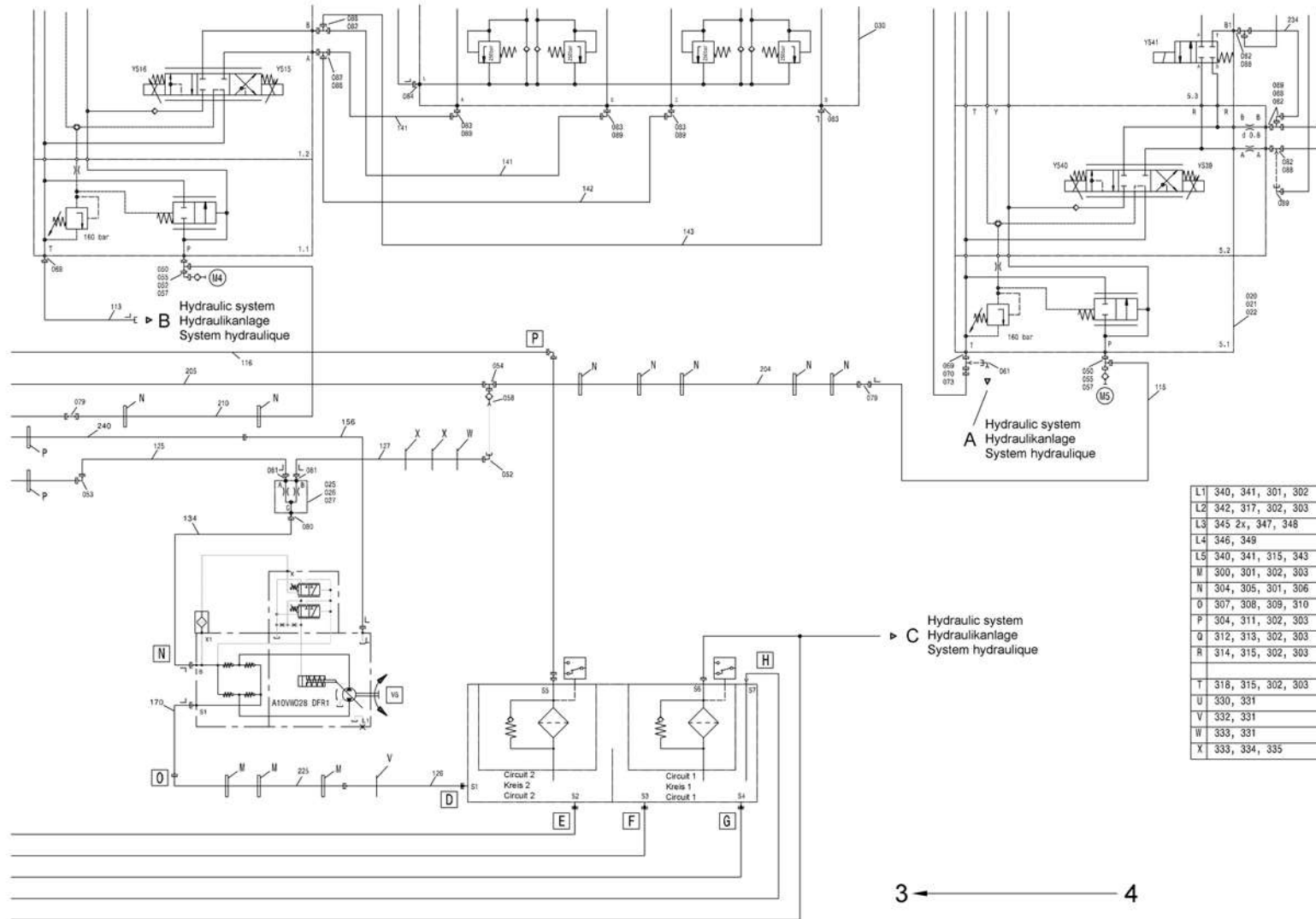
PAGE 3 OF 4
 SEITE 3 VON 4
 PAGE 3 DE 4

1
 ↑
 3

L1	340, 341, 301, 302
L2	342, 317, 302, 303
L3	345 2x, 347, 348
L4	346, 349
L5	340, 341, 315, 343
M	300, 301, 302, 303
N	304, 305, 301, 306
O	307, 308, 309, 310
P	304, 311, 302, 303
Q	312, 313, 302, 303
R	314, 315, 302, 303
T	318, 315, 302, 303
U	330, 331
V	332, 331
W	333, 331
X	333, 334, 335

3 → 4





PAGE 4 OF 4
 SEITE 4 VON 4
 PAGE 4 DE 4

2
 ↑
 4

3 ← ————— 4